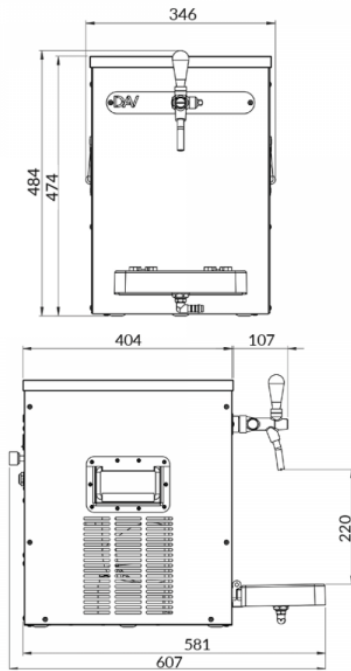


ALASKA DRY COLD 1 DRAFT - COMPRESSED AIR

HOURLY FLOW (ΔT 15): 55 l/h

D3083N



MADE IN FRANCE



Quick and easy to use after connection: without ice bank

Convenient: integrated air compressor and foldable drip tray

Ecological: Propane R290

Designed and manufactured in France by DAV equipments

Ideal for your events: Plug in and serve immediately! Combining design, functionality and convenience, this mobile solution is easy to transport. Thanks to its dry cold solution (without water), Alaska guarantees an easy and immediate use: 1 minute is enough before you can serve your drinks. With its compressed air system (without CO²), it will be particularly suitable for events requiring 1 to 5 kegs over a day.



Technical Specifications

NUMBER OF MAX. DRAFTS	1T
HOURLY FLOW (ΔT 15) L/H	55
COMPRESSOR POWER (HP)	3/8
WEIGHT (KG)	43
MEASUREMENT DIMENSIONS (MM)	L.287 x d.559 x h.490
THERMOSTAT (TEMPÉRATURE DE LA RÉSERVE FROID)	mechanical
REFRIGERANT FLUID	R290
EVAPORATOR	STAINLESS STEEL
BOWL MATERIAL	Aluminium exchanger block
FOAM MATERIAL INSULATION	Elastomeric foam RUA
GROUNDING OUTLET	Mandatory
MAX POWER	442
POWER SUPPLY	220 – 240 V / 50 Hz

To discover more about this product, scan this QR code.

