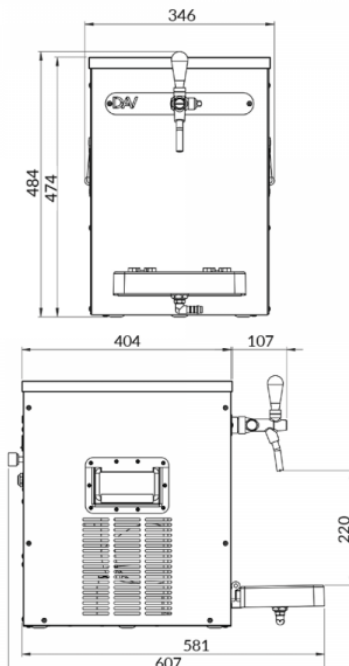


ALASKA DRY COLD 2 DRAFTS - CO²

HOURLY FLOW (ΔT 15): 55 l/h

D3088N

MADE IN FRANCE



Quick and easy to use after connection: without ice bank

Beer quality comparable to professional establishments

Practical: foldable drip tray

Ecological: Propane R290

Designed and manufactured in France by DAV equipments.

Ideal for your events: Plug in and serve immediately!
Combining design, functionality and convenience, this mobile solution is easy to transport. Thanks to this dry cold solution (without water) accompanied by a bottle of CO², Alaska guarantees an easy and immediate use: 1 minute is enough before you can serve your drinks. Alaska cold dry CO² will be particularly suitable for events requiring 8 to 10 drums over a day. With its integrated pressure regulator and CO² hose, it guarantees a beer quality comparable to that of coffee shops, hotels and restaurants. Its two nozzles will allow you to offer your customers the choice of two different beers.

Technical Specifications

NUMBER OF MAX. DRAFTS	1T
HOURLY FLOW (ΔT 15) L/H	55
COMPRESSOR POWER (HP)	3/8
WEIGHT (KG)	37
MEASUREMENT DIMENSIONS (MM)	
THERMOSTAT (TEMPÉRATURE DE LA RÉSERVE FROID)	mechanical
REFRIGERANT FLUID	R290
EVAPORATOR	STAINLESS STEEL
BOWL MATERIAL	Aluminium exchanger block
FOAM MATERIAL INSULATION	Elastomeric foam RUA
GROUNDING OUTLET	Mandatory
MAX POWER	442
POWER SUPPLY	220 – 240 V / 50 Hz

To discover more about this product, scan this QR code.

