

Chassis

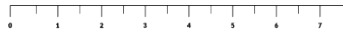
for units 4 - 5 TBG

D8061

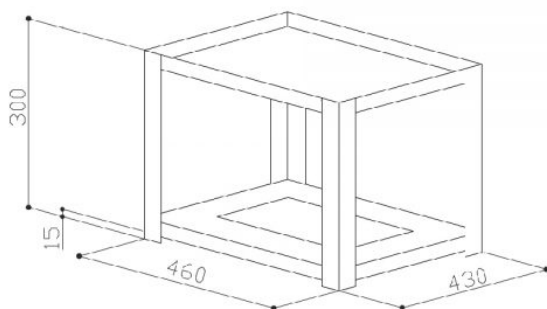
MADE IN FRANCE



CUSTOM MADE



To accommodate your cooling unit we offer a range of robust stainless steel frames.



Technical Specifications

VERTICAL DIMENSION (MM)	540 x 360 x 300
-------------------------	-----------------

To discover more about this product, scan this QR code.

