

Chassis 4 feet of 1000mm

for units 1 - 2 - 3 - 4 - 5 - 6 - 7 TBG

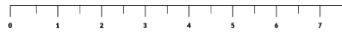
D8241M



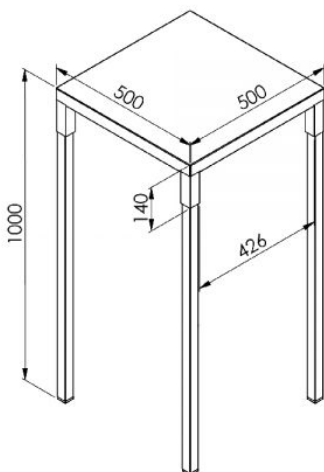
MADE IN FRANCE



CUSTOM MADE



To accommodate your cooling unit we offer a range of robust stainless steel frames.



Technical Specifications

VERTICAL DIMENSION (MM)	500 x 500 x 1000
-------------------------	------------------

To discover more about this product, scan this QR code.

