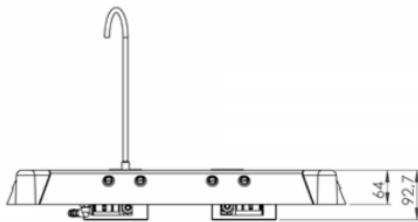
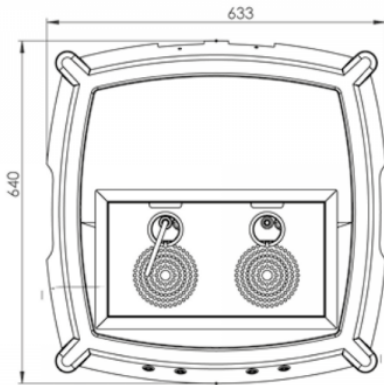


NOMADE - BEER UP Plate

2 Drafts

L02493BU

MADE IN FRANCE



Practical: Fits on the mobile solution (D11232T and D11202T)

Easy: Automatic or manual filling from below the cup

Economic: Faster and more profitable

Ecological: Washable and reusable glasses (about 500 uses)

Innovative, the Beer-Up board allows you to serve differently, without constraint. It can be easily adapted to the traditional NOMADES mobile solution (D11232T and D11202T).

No need to know how to draw beer: simply place the glass in the orifice, and the filler fills it up by itself, to the nearest centilitre. It thus ensures a gain in speed and therefore a much higher yield. A classic service is also possible thanks to a removable spout, recommended for the beginning and end of the barrel. The Beer Up board is designed for intensive use.

Equipped with a volumetric counter, it will allow you to count the actual litering of your event. The gobelet can easily be rinsed and refreshed thanks to the integrated glass rinser.

It is supplied with 2 cup grids: 1 grid of 2 x 25 cl and 2 x 50 cl cups. The cups are washable in dishwashers and glass washers.

Technical Specifications

NUMBER OF MAX. DRAFTS	2T
MEASUREMENT DIMENSIONS (MM)	L.645 x d.643
GROUNDED OUTLET	Mandatory

To discover more about this product, scan this QR code.

