

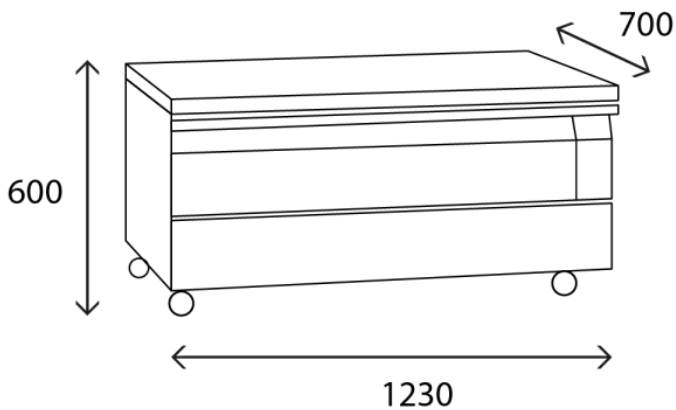
opaque rear refrigerated wine display case

R2116



FRIONOR cooling or freezing drawer:

- Dual temperature
- Easily switchable at the touch of a button
- Large storage capacity / maximized storage space
- Ventilated cooling for rapid descent and uniform temperature
- Automatic defrost - Maximum load capacity per drawer: 60 kg



Technical Specifications

TYPE OF INSTALLATION	
MEASUREMENT DIMENSIONS (MM)	
FEET	
FINITION	
NOMBRE BOUTEILLES (75CL) / CANNETTES PAR VITRINE	
COLD	Ventilated
CAPACITÉ UTILE (L)	
TEMPERATURE RANGE (°C)	
REFRIGERANT FLUID	R290
POIDS (KG)	
POWER (W)	
THERMOSTAT (TEMPÉRATURE DE LA RÉSERVE FROID)	electronic

To discover more about this product, scan this QR code.

