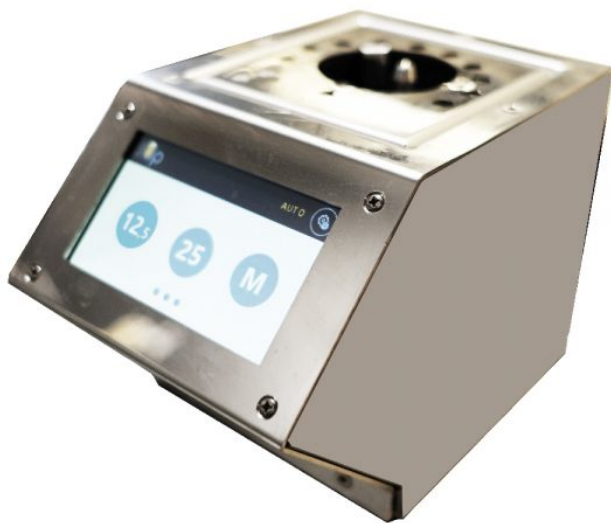


Box Up - Beer Up

1 draft

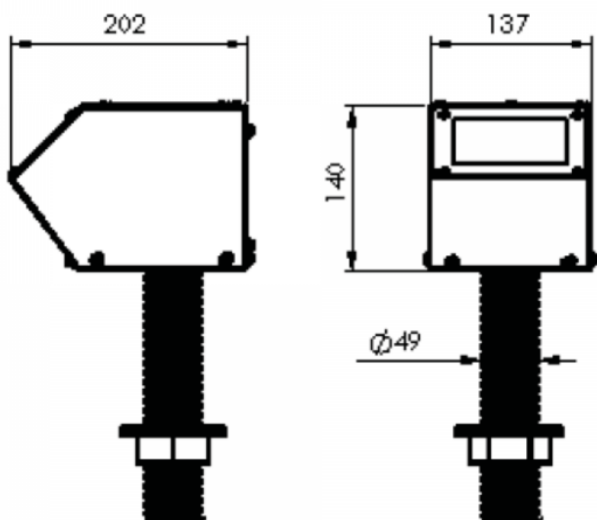
L02491BU

MADE IN FRANCE



Counter top installation via standard connection
 Easy to use: Pre-programmed multi-filling and automatic or manual filling from below the cup
 Lighting for bottom filling of the cup
 With grids for 25 cl and 50 cl cups
 Easy:Economic: Faster and more profitable
 Ecological: Washable and reusable glasses (about 500 uses)

Innovative, the Box-Up Beer-up allows you to serve differently, without constraint. It can be adapted to a counter to complement or replace traditional columns. No need to know how to draw beer: simply place the glass in the opening and the filler fills it up by itself, to the nearest centilitre. It thus ensures a gain in speed and therefore a much higher yield. A classic service is also possible thanks to a removable spout, recommended for the beginning and end of the barrel. The Box Up Beer-Up is designed for intensive use. Equipped with a volumetric counter, it will allow you to count the actual bedding of your establishment. It adapts to a new or existing standard python installation upstream / downstream. It is supplied with 2 cup grids: 1 grid of 1 draft X 25 cl or 1 draft X 50cl. The cups are washable in dishwashers and glass washers. It comes with 50 cups of 25 cl.



Technical Specifications

| | |
|-----------------------|-----------|
| NUMBER OF MAX. DRAFTS | 1T |
| GROUNDED OUTLET | Mandatory |

To discover more about this product, scan this QR code.

